

ME AVANM

K122-A 11/2012

Rearmation motor for AVANTAGE 1V ME

PRODUCT PRESENTATION

The replacement of a rearmation motor is only possible on a motorised smoke evacuation shutter AVANTAGE 1V ME. The electric rearmation motor closes the shutter by remote control. When the rearmation motor is powered, the motor pulls the cross beam of the door until the shutter arrives in its stand-by position (closed)

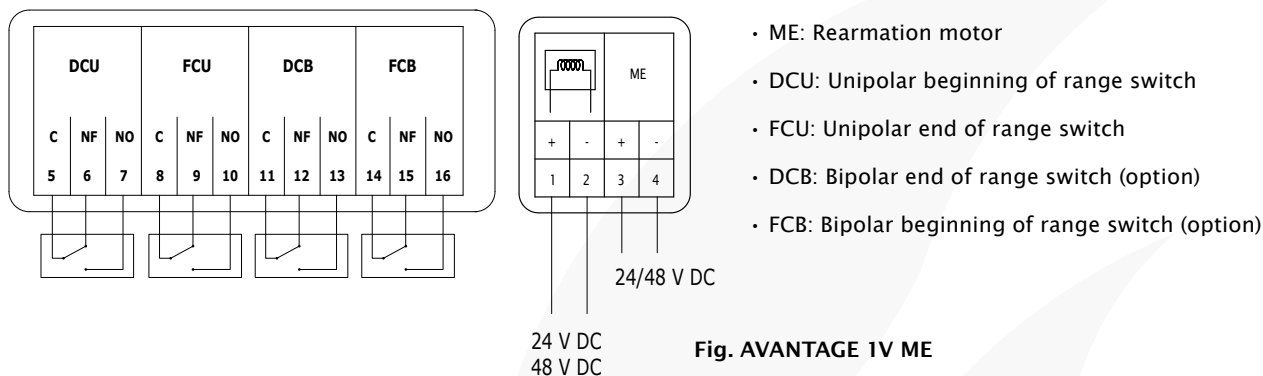
LIST OF PARTS

	Description	Characteristics	Number
1	Rearmation motor	VAME-ME	1
2	Cable connector	KLEM-190726	2
	Label 'KIT' (yellow)	ETIK-D042	1

DETAILED CHARACTERISTICS

	ME AVANM	
Power supply	24VDC/48VDC	
Power consumption	24V: Pmax=20W	48V: Pmax=40W
Durability test	300 cycles	
Ambient temperature	-30°C up to 50°C	
Maintenance	Maintenance free	

ELECTRICAL WIRING DIAGRAM



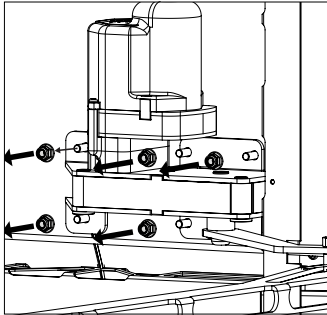
APPLICATION



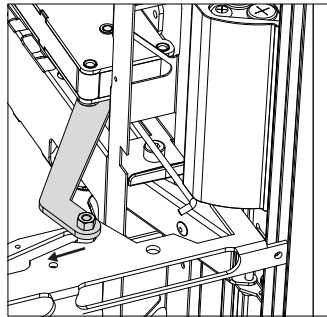
Fig. AVANTAGE 1V ME

MOUNTING AND DISMANTLING

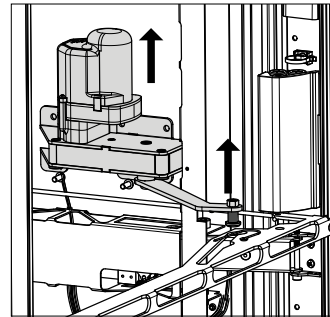
Dismantling of the rearmation motor



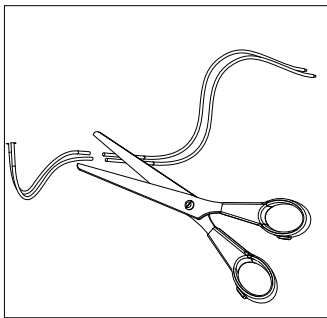
1. Power off both the shutter and the motor.
2. Open the shutter manually with the key.
3. Unscrew the 5 fixation nuts and keep them aside.



4. Push the arm towards the indentation in the cross beam.

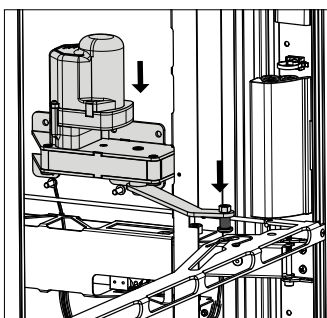


5. Remove the current motor.

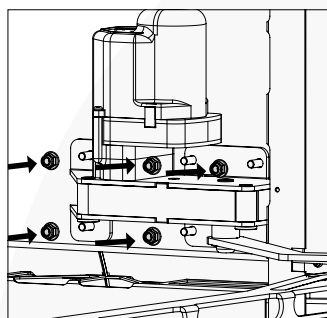


6. Cut the electrical cables

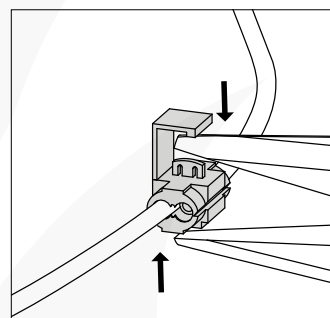
Mounting of the rearmation motor




1. Place the new motor with the arm in the indentation in the cross beam.



2. Reuse the 5 fixation nuts from the previous motor.
3. Mount the new motor with the 5 nuts.



4. Connect the new motor to the power supply with the included cable connectors.
5. Test that the mechanism operates properly.
6. Apply the label 'KIT' and fill in the information.

The NF-label guarantees: 

- The conformity with the standard NF S 61-937 : "Systèmes de Sécurité Incendie Dispositifs Actionnés de Sécurité"
- The conformity with the national decree of march 22, 2004
- The values of the characteristics mentioned in this document

Certifying organization: AFNOR Certification

11 Rue Francis de Pressensé
F93571 La Plaine Saint-Denis Cedex

If the damper is manipulated in any other way than described in this manual, Rf-Technologies will decline any responsibility and the guarantee will immediately expire!