

FUS72 MFUS(P)

Fusible link

K14-C 06/2013

PRODUCT PRESENTATION

The fusible link FUS72 MFUS(P) unlatches automatically the damper blade. When the temperature in the duct rises above 72°C, the fusible link melts. This causes an armed internal torsion spring to unwind and thereby releases the damper blade into its safety position (=closed).

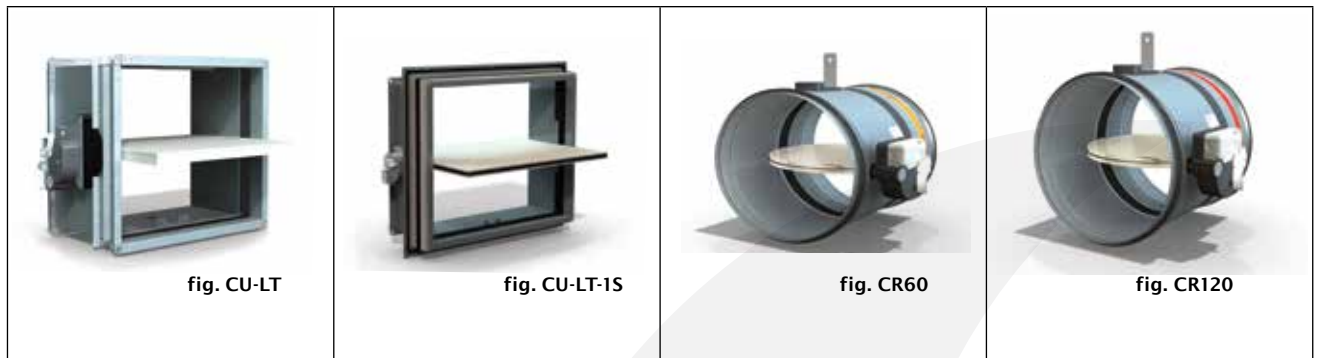
LIST OF PARTS

Description	Characteristics	Number
1 Fusible link	FUS72 MFUS(P)	1
2 Installation screw fusible link	DIN7048 M4x25	1
Label "KIT" (yellow)	ETIK-D042	1

DETAILED CHARACTERISTICS

	MFUS(P)
Ambient temperature	-30°C up to 50°C
Maintenance	Maintenance free
Reaction temperature fusible link	72°C

APPLICATION



OPERATION

MFUS(P)

Manual rearmation:

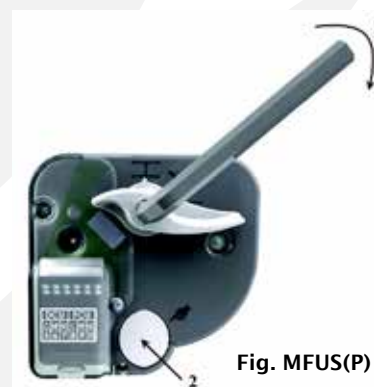
Turn the rearmation handle clockwise (1) or use a hex key of 10

Manual unlocking:

Use the unlocking button (2)

Automatic unlocking:

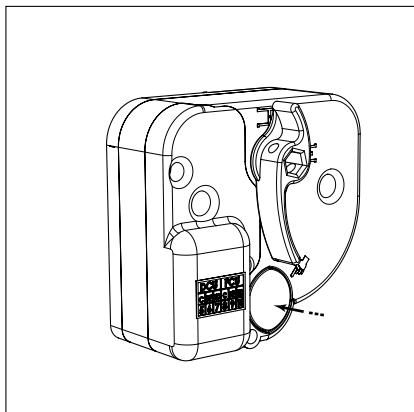
When the fusible link melts at 72°



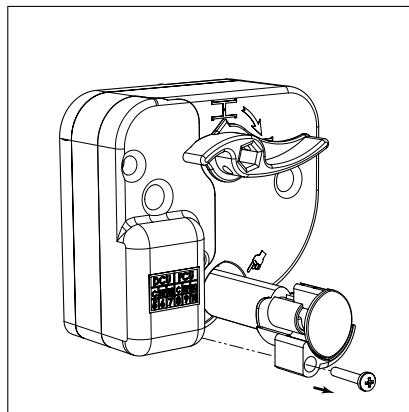


MOUNTING

Dismantling of the fusible link

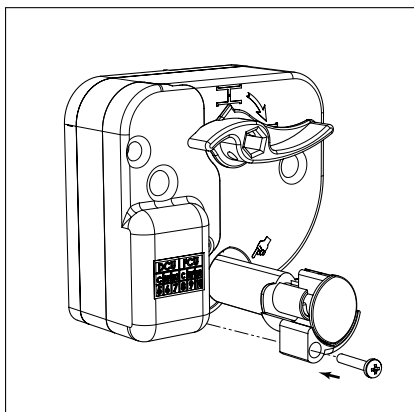


1. Unlock the actual mechanism by pressing the unlocking button.

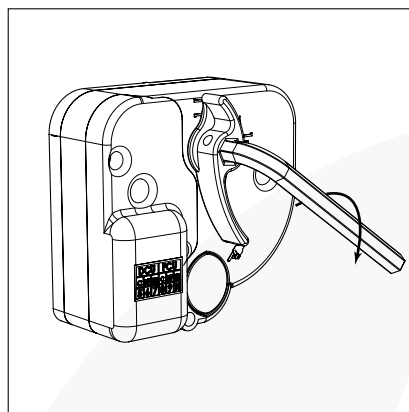


2. Loosen the installation screw of the fusible link.
3. Remove the old fusible link.

Mounting of the fusible link



4. Mount the new fusible link.
5. Tighten up with installation screw.



6. Test the good functioning of the mechanism.
7. Apply the yellow label 'KIT' and fill out the information.

If the product is manipulated in any other way than described in this manual, Rf-Technologies will decline any responsibility and the guarantee will immediately expire!