

# FDC CFTH

K20-B 06/2013

Beginning or end of range switch

### PRODUCT PRESENTATION

By the beginning or end of range switch FDC CFTH, it is possible to indicate the open or closed position of the damper.

### LIST OF PARTS

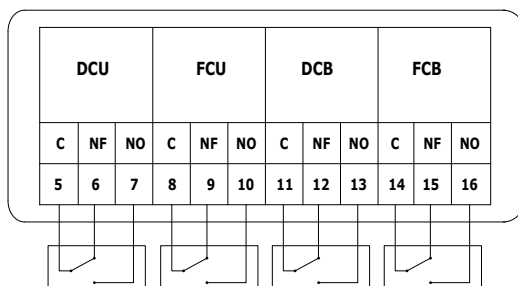
	Description	Characteristics	Number
1	Position switch *	FCU / DCU / FCB / DCB	1
2	Terminal block	WAGO	1
3	Fixing screws for terminal block	DIN 7981 Ø 2,9 x 9,5	2
	Label "KIT" (yellow)	ETIK-D042	1

\* A bipolar contact is composed of two switches

### DETAILED CHARACTERISTICS

		FDC CFTH
1	Position switches	1mA...6A, DC 5V...AC 250V
2	Maintenance	Maintenance free
3	Ambient temperature	-30°C up to 50°C

### ELECTRICAL WIRING DIAGRAM



- DCU: Beginning of range unipolar switch (option)
- FCU: End of range unipolar switch (option)
- DCB: Beginning of range bipolar switch (option)
- FCB: End of range bipolar switch (option)

Fig. CFTH

## APPLICATIONS CFTH



fig. CR2



fig. CU2



fig. CA2



fig. CU4



fig. CU2-15

## OPERATION CFTH

**Manual rearmation:**

Use the enclosed hex key and turn clockwise (2)

**Manual unlocking:**

Use the unlocking button (1)

**Automatic unlocking:**

When the fusible link melts at 72°

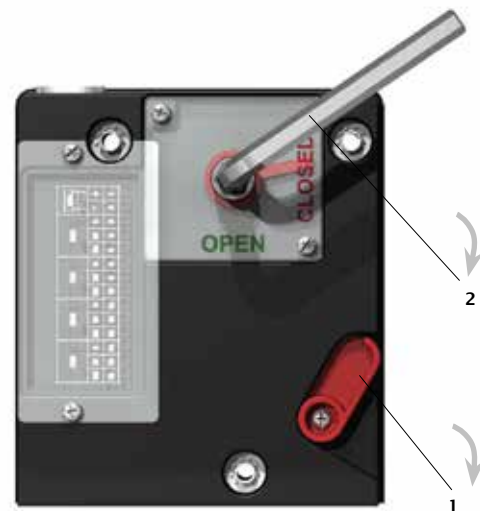
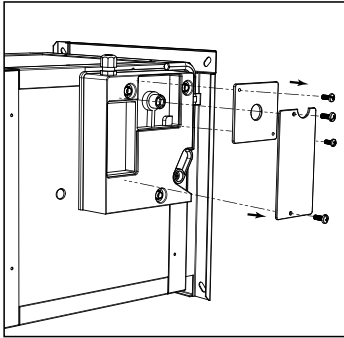


Fig. CFTH

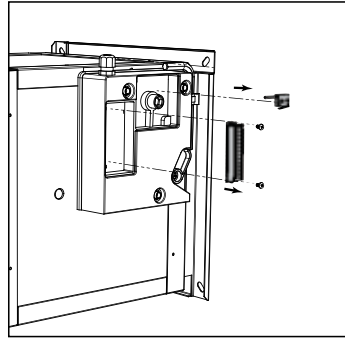


## MOUNTING

### Dismantling of the switch

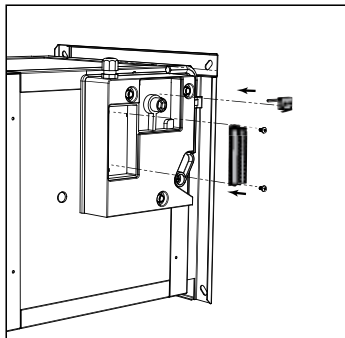


1. Remove the covers.

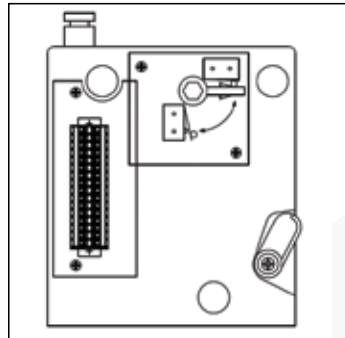


2. Dismantle the screws of the terminal block.  
3. Remove the switch.

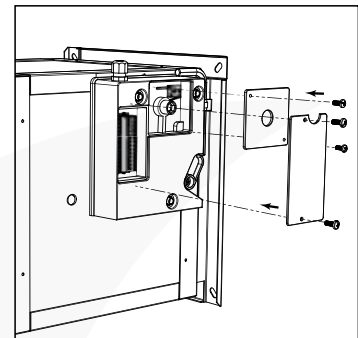
### Mounting of the switch



2. Fix the position switch to the mechanism.  
3. Fix the terminal block with two screws.



4. Connect position switch to the terminal block according to the wiring diagram:  
Blue = normally open  
Black = common  
Grey = normally closed



5. Fit the covers.  
6. Apply the yellow label 'KIT' and fill in the information.

If the product is manipulated in any other way than described in this manual, Rf-Technologies will decline any responsibility and the guarantee will immediately expire!