

# BAE72

Thermo-electric fusible link - Belimo

K12-A 11/2010

### PRODUCT PRESENTATION

The BAE72 thermo-electric fusible link operates in conjunction with a spring return actuator to drive a motorized fire damper to its safety position when the temperature in the duct rises above 72°C.

The BAE72 employs three thermal trips Tf1, Tf2 and Tf3. Thermal trip Tf1 operates if the ambient temperature exceeds 72 °C. Replaceable thermal trip Tf2/Tf3 operates if the temperature inside the duct exceeds 72 °C. Tf1, Tf2 or Tf3 trips cause the power supply to be interrupted permanently and irrevocably. If the power supply is interrupted, the energy stored in the spring moves the damper back to its safe position.

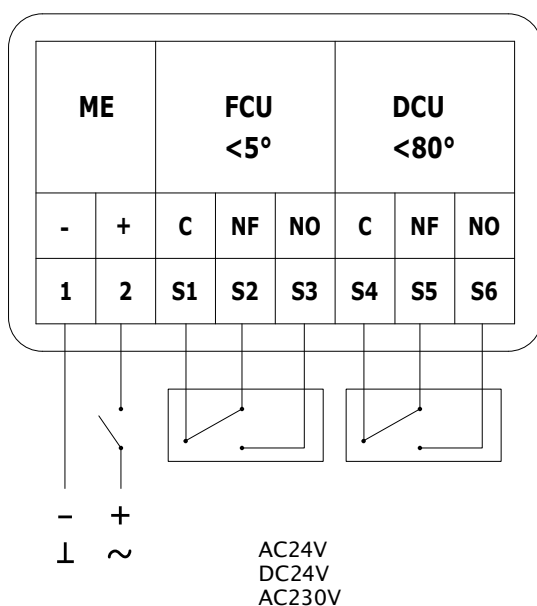
### LIST OF PARTS

Description	Characteristics	Aantal
Thermo-electric fusible link	BAE72	1

### DETAILED CHARACTERISTICS

	BAE72
Power supply	24 VAC/VDC
Weight	85 gram
Duration test	min. 10.000 safe positions
Protection degree	IP 54
Ambient temperature	-20°C up to +50°C
Maintenance	Maintenance free
Reaction temperature fusible link	72°C
Connecting cable	1m/ 2 x0.5mm <sup>2</sup>
Cable	BETAFLAM 145

### ELECTRICAL WIRING



- ME: Rearmation motor
- FCU: Unipolar end of range switch
- DCU: Unipolar beginning of range switch

Fig. BLF(T)

## APPLICATIONS BAE72



### OPERATION BLF(T) - BF(T)

**Manual rearmation:**

- To rearm the damper manually, use enclosed handle.  
**BLF(T)**  
=> Turn clockwise  
**BF(T)**  
=> Turn anti-clockwise
- To block the motor, turn the motor a quarter of a turn back

**Manual unlocking:**

- To unlock the motor, use enclosed handle.
- BLF(T)**  
=> Turn 1/4 clockwise  
**BF(T)**  
=> Turn 1/4 anti-clockwise

**CAUTION!**

- => **! Do not use a drill or screwing machine**  
=> **! Stop as soon as the motor is completely rearmed (end of range)**

**Motorized rearmation:**

- Switch off the power supply for at least 10 sec.
- Supply the actuator (respect the prescribed voltage) for at least 140 sec (BF) / 75sec. (BLF)
- The rearmation stops automatically
  - when the end of range is reached (damper open), it takes about 75 sec. to arm the damper (BLF) (140sec. for BF)
  - when the power supply is interrupted

**Remote controlled unlocking:**

By interrupting the power supply

**Automatic unlocking:**

As soon as the temperature of the thermo-electric fuse exceeds 72°C (Types BLFT)

=> **! The thermo-electric fuse will not interrupt the power supply after manual rearmation**



Fig. BF



Fig. BLF

### MOUNTING

The thermo-electric fusible link must be mounted on the duct or on the side of the damper by means of the prefixed selftapping screws in such a manner that there is an unobstructed flow of air to thermal trip from the appropriate source.

If the damper is manipulated in any other way than described in this manual, Rf-Technologies will decline any responsibility and the guarantee will immediately expire!